

# Model HMS

**INSTALLATION, OPERATION AND MAINTENANCE INSTRUCTIONS**

## Table of Contents

<b>SUBJECT</b>	<b>PAGE</b>
Description and Specifications .....	3
Important Instructions.....	3
Installation .....	3
Suction Piping .....	3
Discharge Piping.....	4
Rotation .....	4
Operation.....	4
Maintenance.....	4
Disassembly .....	4
Reassembly.....	4
Troubleshooting Guide .....	5
Repair Parts .....	6
Declaration of Conformity .....	23
Goulds Water Technology Limited Warranty .....	7

## Owner's Information

Please fill in data from your pump nameplate.  
Warranty information is on page 7.

Pump Model: \_\_\_\_\_

Serial Number: \_\_\_\_\_

Dealer: \_\_\_\_\_

Dealer's Phone Number: \_\_\_\_\_

Date of Purchase: \_\_\_\_\_

Installation Date: \_\_\_\_\_

## Description and Specifications

The Model HMS is a close coupled, end suction, multi-stage centrifugal pump for general liquid transfer service, booster applications, etc. Liquid-end construction is all AISI Type 316 stainless steel, stamped and welded. Impellers are fully enclosed, non-trimmable to intermediate diameters. Casings are fitted with diffusers for efficiency and for negligible radial shaft loading.

All units have NEMA 48Y or 56Y motors with square flange mounting and threaded shaft extension.

## 1. Important Instructions

- 1.1 Inspect unit for damage. Report any damage to carrier/dealer immediately.
- 1.2 Electrical supply must be a separate branch circuit with fuses or circuit breakers, wire sizes, etc., in compliance with National and Local electrical codes. Install an all-leg disconnect switch near pump.

**CAUTION: ALWAYS DISCONNECT ELECTRICAL POWER WHEN HANDLING PUMP OR CONTROLS.**

- 1.3 Motors must be wired for proper voltage. Motor wiring diagram is on motor nameplate. Wire size must limit maximum voltage drop to 10% of nameplate voltage at motor terminals, or motor life and pump performance will be lowered.
- 1.4 Always use horsepower-rated switches, contactor and starters.
- 1.5 Motor protection
  - 1.5.1 Single-phase: Thermal protection for single-phase units is sometimes built in (check nameplate). If no built-in protection is provided, use a contactor with a proper load. Fusing is permissible.
  - 1.5.2 Three-phase: Provide three-leg protection with properly sized magnetic starter and thermal overloads.

### 1.6 Maximum Operating Limits:

Liquid Temperature: 230°F (110°C)  
Working Pressure to: 125 PSI (8 Bar)  
Starts per Hour: 20, evenly distributed

- 1.7 Regular inspection and maintenance will increase service life. Base schedule on operating time. Refer to Section 8.

## 2. Installation

- 2.1 Locate pump as near liquid source as possible (below level of liquid for automatic operation).
- 2.2 Protect from freezing or flooding.
- 2.3 Allow adequate space for servicing and ventilation.
- 2.4 All piping must be supported independently of the pump, and must "line-up" naturally.

**CAUTION: NEVER DRAW PIPING INTO PLACE BY FORCING THE PUMP SUCTION AND DISCHARGE CONNECTIONS.**

- 2.5 Avoid unnecessary fittings. Select sizes to keep friction losses to a minimum.
- 2.6 Units may be installed horizontally, inclined or vertically.

**CAUTION: DO NOT INSTALL WITH MOTOR BELOW PUMP. ANY LEAKAGE OR CONDENSATION WILL AFFECT THE MOTOR.**

- 2.7 Foundation must be flat and substantial to eliminate strain when tightening bolts. Use rubber mounts to minimize noise and vibration.
- 2.8 Tighten motor hold-down bolts before connecting piping to pump.

## 3. Suction Piping

- 3.1 Low static suction lift and short, direct, suction piping is desired. Consult pump performance curve for *Net Positive Suction Head Required*.
  - 3.2 Suction pipe must be at least as large as the suction connection of the pump. Smaller size will degrade performance.
  - 3.3 If larger pipe is required, an eccentric pipe reducer (with straight side up) must be installed at the pump.
  - 3.4 Installation with pump below source of supply:
    - 3.4.1 Install full flow isolation valve in piping for inspection and maintenance.
- CAUTION: DO NOT USE SUCTION ISOLATION VALVE TO THROTTLE PUMP.**
- 3.5 Installation with pump above source of supply:
    - 3.5.1 Avoid air pockets. No part of piping should be higher than pump suction connection. Slope piping upward from liquid source.
    - 3.5.2 All joints must be airtight.
    - 3.5.3 Foot valve to be used only if necessary for priming, or to hold prime on intermittent service.
    - 3.5.4 Suction strainer open area must be at least triple the pipe area.
  - 3.6 Size of inlet from liquid source, and minimum submergence over inlet, must be sufficient to prevent air entering pump through vortexing. See Figures 1-4.
  - 3.7 Use 3-4 wraps of Teflon tape to seal threaded connections.

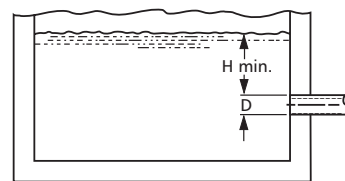


Figure 1

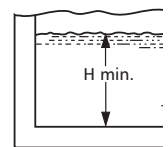


Figure 2

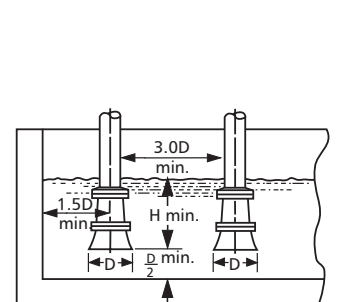


Figure 3

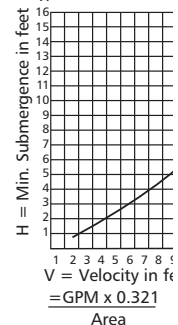


Figure 4

## 4. Discharge Piping

- 4.1 Allowance should be made for disconnecting discharge piping near casing to allow for pump disassembly.
- 4.2 Arrangement must include a check valve located between a gate valve and the pump. The gate valve is for regulation of capacity, or for inspection of the pump or check valve.
- 4.3 If an increaser is required, place between check valve and pump.
- 4.4 Use 3-4 wraps of Teflon tape to seal threaded connections.

## 5. Rotation

- 5.1 Correct rotation is right-hand (clockwise when viewed from the motor end). Switch power on and off quickly. Observe shaft rotation. to change rotation:
  - 5.1.1 Single-phase motor: Non-reversible
  - 5.1.2 Three-phase motor: Interchange any two power supply leads.

## 6. Operation

- 6.1 Before starting, pump must be primed (free of air and suction pipe full of liquid) and discharge valve partially open.
- 6.2 Make complete check after unit is run under operating conditions and temperature has stabilized. Check for expansion of piping.

## 7. Maintenance

- 7.1 Ball bearings are located in and are part of the motor. They are permanently lubricated. No greasing required.

**CAUTION:** PUMPED LIQUID PROVIDES LUBRICATION. IF PUMP IS RUN DRY, ROTATING PARTS WILL SEIZE AND MECHANICAL SEAL WILL BE DAMAGED. DO NOT OPERATE AT OR NEAR ZERO FLOW. ENERGY IMPARTED TO THE LIQUID IS CONVERTED INTO HEAT. LIQUID MAY FLASH TO VAPOR. ROTATING PARTS REQUIRE LIQUID TO PREVENT SCORING OR SEIZING.

## 8. Disassembly

- 8.1 Complete disassembly of the unit will be described. Proceed only as far as required to perform the maintenance work required.
  - 8.1.1 Turn off power.
  - 8.1.2 Drain system and flush if necessary.
  - 8.1.3 Disconnect discharge pipe from pump.
  - 8.1.4 Remove motor hold-down bolts.
- 8.2 Disassembly of liquid end
  - 8.2.1 Drain the pump body through the drain plug (4).
  - 8.2.2 Remove the casing screws (1) from the motor adapter (17).
  - 8.2.3 Remove the pump body (2) and the o-ring (15) located between the pump body and the seal housing (16).
  - 8.2.4 Remove motor fan cover (24) to expose wrench flats or slot on shaft end.

**CAUTION:** DO NOT INSERT SCREWDRIVER BETWEEN THE FAN BLADES TO PREVENT ROTATION.

8.2.5 Hold motor shaft at flat or slot to resist rotation and remove impeller nut and washer (5, 6).

8.2.6 The following parts can now be removed from the pump shaft in sequence: Diffuser with o-ring (7, 9), impeller spacer (8), impeller (10), impeller spacer (8), etc. until the complete "hydraulic element" is dismantled. Note: Each diffuser contains an o-ring (9).

8.2.7 Remove the shoulder washer (13) from the pump shaft (18).

**NOTE:** Further disassembly will require removal of the mechanical seal. It is recommended that a new mechanical seal be installed at reassembly.

8.2.8 Carefully pull the rotary portion of the mechanical seal (14) from the shaft coupling (19).

8.2.9 Remove the seal housing (16) from the motor adapter. The stationary portion of the mechanical seal (14) can now be removed from the seal housing.

8.2.10 Remove the motor screws (21) from the motor adapter and remove the motor adapter from the motor.

8.2.11 To remove the pump shaft (18) from the shaft coupling (19), heat must be applied to the small end of the shaft coupling. This is required to break the bond of the Loctite #271 between the pump shaft and coupling.

**CAUTION:** DO NOT DAMAGE THE SMALL END OF THE SHAFT COUPLING WHERE THE MECHANICAL SEAL SITS.

Hold the motor shaft at flats or slots to resist rotation. Repeat for removal of the shaft coupling from the motor shaft, this time heating the large end of the shaft coupling.

## 9. Reassembly

9.1 All parts should be cleaned before reassembly. Remove all cured Loctite from parts using denatured alcohol and wire brush. Allow parts to dry before reassembly.

9.2 Refer to parts list to identify required replacement items. Specify pump index or catalog number when ordering parts.

9.3 Reassembly is the reverse of disassembly.

**NOTE:** The impeller spacers must be assembled with the larger diameter edge adjacent to each impeller. The last stage diffuser (12) can be identified from the standard by the holes around its circumference, it is recommended that one of these holes be lined up with the discharge port. Fix the hydraulic element by tightening the impeller screw (5) and impeller washer (6) with a torque setting of 10 ft. Position the o-ring (15) on the mechanical seal housing (16), locate the pump body (2) and fit it to the motor adapter (17) with the four screws (1).

**Observe the following when reassembling the pump:**

9.4 Check for motor shaft runout. Maximum permissible is .002" TIR.

9.5 Apply Loctite 'Primer 7649' and allow 2-3 minutes to dry. Next apply Loctite #271 to motor shaft, thread coupling shaft in place and torque to 15 ft. of torque.

9.6 Apply Loctite 'Primer 7649' and allow 2-3 minutes to dry. Next apply Loctite #271 to pump shaft. Thread pump shaft in place and torque to 15 ft. of torque.

9.7 Check pump shaft runout. Maximum permissible is .010 TIR.

- 9.8 Lubricate shaft coupling and seal housing stationary seat holder with a 50/50 glycerin and water solution prior to installation of mechanical seal components.
- 9.9 Apply Loctite "Primer 7649" and allow 2-3 minutes to dry. Then apply Loctite #243 to impeller bolt (5). Thread bolt into pump shaft and torque to 10 lb. ft. of torque.
- 9.10 Inspect casing o-ring (15) and impeller o-rings (9) for damage or wear and replace if necessary.
- 9.11 O-rings may be lubricated with glycerin and water solution or petroleum jelly to ease assembly.
- 9.12 Tighten casing screws to 15 lb.ft. of torque using a star pattern to prevent o-ring binding.

## 10. Troubleshooting Guide

### MOTOR NOT RUNNING

(See causes 1 through 6)

### LITTLE OR NO LIQUID DELIVERED

(See causes 7 through 17)

### POWER CONSUMPTION TOO HIGH

(See causes 4, 17, 18, 19, 22)

### EXCESSIVE NOISE AND VIBRATION

(See causes 4, 6, 9, 13, 15, 16,18,20, 21, 22)

### PROBABLE CAUSE

1. Tripped thermal protector
2. Open circuit breaker
3. Blown fuse
4. Rotating parts binding
5. Motor wired improperly
6. Defective motor
7. Not primed
8. Discharge plugged or valve closed
9. Incorrect rotation
10. Foot valve too small, suction not submerged, inlet screen plugged.
11. Low voltage
12. Phase loss (three phase only)
13. Air or gases in liquid
14. System head too high
15. NPSHA too low:  
Suction lift too high or suction losses excessive  
Check with vacuum gauge
16. Impeller worn or plugged
17. Incorrect impeller diameter
18. Head too low, causing excessive flow rate
19. Viscosity or specific gravity too high
20. Worn bearings
21. Pump or piping loose
22. Pump and motor misaligned

# Parts List

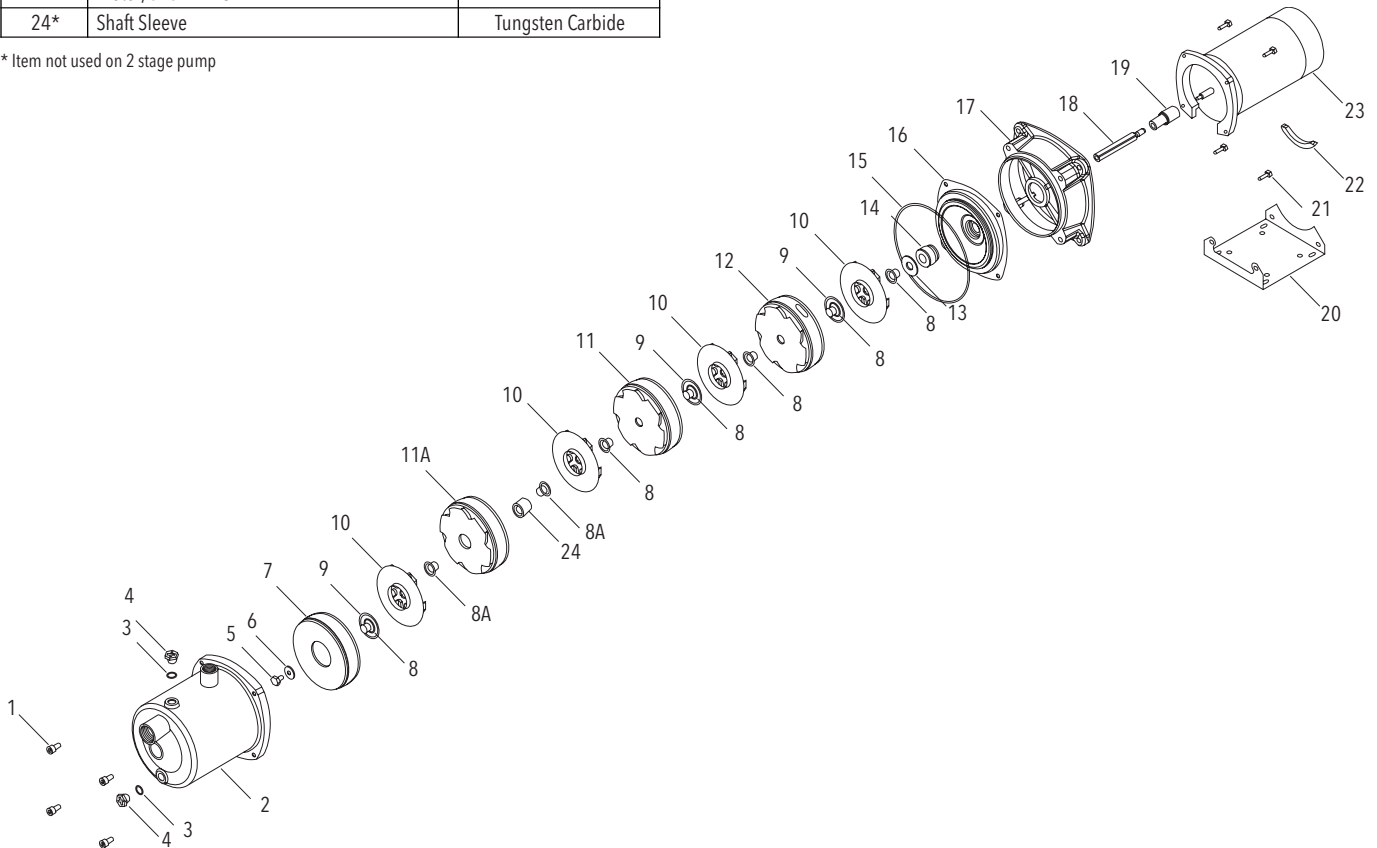
Item No.	Part Description	Material
1	Screw, casing	400 SS
2	Pump, casing with plug and Viton o-rings	316L SS
3	O-ring, fill and drain plug	Viton
4	Fill and drain plug	315 SS
5	Impeller bolt	316 SS
6	Impeller lock washer	316 SS
7	Diffuser cover, first stage	316L SS
8	Impeller spacer	316L SS
8A*	Impeller spacer (Intermediate)	316L SS
9	O-ring, impeller	EPR
		Optional Viton
10	Impeller	316L SS
11	Diffuser, intermediate	316L SS
11A*	Diffuser with bushing	316L SS
12	Diffuser, last stage	316L SS
13	Washer, mechanical seal	316 SS
14	Mechanical seal	Varies
15	O-ring, casing	EPR
		Optional Viton
16	Seal housing	316L SS
17	Motor adapter	Aluminum
18	Shaft, pump	316 SS
19	Shaft coupling	316 SS
20	Foot, pump	Steel
21	Screw, motor to motor adapter	Steel
22	Spacer	Rubber
23	Motor, 1 PH ODP	303 SS
	Motor, 3 PH ODP	
	Motor, 575 V ODP	
	Motor, 1 PH TEFC	
	Motor, 3 PH, TEFC	
24*	Shaft Sleeve	Tungsten Carbide

\* Item not used on 2 stage pump

Mechanical Seal Application Chart					
Rotary	Stationary	Elastomer	Metal Parts	Part No.	
				Before	After
				SN: F0264029 •	
Carbon	Silicon Carbide	EPR	316SS	-	10L35
		Viton		10L32**	10L36
	Silicon Carbide			-	10L34

• For pumps used in conjunction with the AquaBoost pumping system, use SN F0265181.

\*\* Replacement for 10L29, 10L30 and 10L31



### GOULDS WATER TECHNOLOGY LIMITED WARRANTY

This warranty applies to all water systems pumps manufactured by Goulds Water Technology.

Any part or parts found to be defective within the warranty period shall be replaced at no charge to the dealer during the warranty period. The warranty period shall exist for a period of twelve (12) months from date of installation or eighteen (18) months from date of manufacture, whichever period is shorter.

A dealer who believes that a warranty claim exists must contact the authorized Goulds Water Technology distributor from whom the pump was purchased and furnish complete details regarding the claim. The distributor is authorized to adjust any warranty claims utilizing the Goulds Water Technology Customer Service Department.

**The warranty excludes:**

- (a) Labor, transportation and related costs incurred by the dealer;
- (b) Reinstallation costs of repaired equipment;
- (c) Reinstallation costs of replacement equipment;
- (d) Consequential damages of any kind; and,
- (e) Reimbursement for loss caused by interruption of service.

**For purposes of this warranty, the following terms have these definitions:**

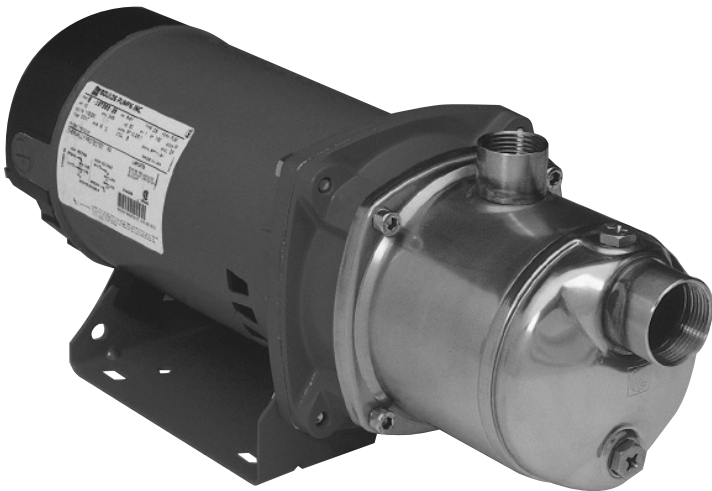
- (1) "Distributor" means any individual, partnership, corporation, association, or other legal relationship that stands between Goulds Water Technology and the dealer in purchases, consignments or contracts for sale of the subject pumps.
- (2) "Dealer" means any individual, partnership, corporation, association, or other legal relationship which engages in the business of selling or leasing pumps to customers.
- (3) "Customer" means any entity who buys or leases the subject pumps from a dealer. The "customer" may mean an individual, partnership, corporation, limited liability company, association or other legal entity which may engage in any type of business.

**THIS WARRANTY EXTENDS TO THE DEALER ONLY.**



Xylem, Inc.  
2881 East Bayard Street Ext., Suite A  
Seneca Falls, NY 13148  
Phone: (800) 453-6777  
Fax: (888) 322-5877  
[www.xylem.com/brands/gouldswatertechnology](http://www.xylem.com/brands/gouldswatertechnology)

Goulds is a registered trademark of Goulds Pumps, Inc. and is used under license.  
© 2012 Xylem Inc. IM083 Revision Number 5 July 2012



# Modelo HMS

**INSTRUCCIONES DE INSTALACIÓN, FUNCIONAMIENTO Y MANTENIMIENTO**



## Índice

TEMA	PÁGINA
Descripción y especificaciones .....	10
Instrucciones importantes.....	10
Instalación.....	10
Tuberías de succión.....	10
Tuberías de descarga.....	11
Rotación.....	11
Operación .....	11
Mantenimiento.....	11
Desmontaje .....	11
Reensamblaje.....	12
Guía de identificación y resolución de problemas .....	12
Partes de repuesto.....	13
Declaración of Conformidad .....	23
Garantía limitada de Goulds Water Technology .....	14

## Información del propietario

Por favor complete los datos consultando la placa del fabricante de la bomba. La información de la garantía está en la página 14.

Modelo de la Bomba: \_\_\_\_\_

Número de Serie: \_\_\_\_\_

Agente: \_\_\_\_\_

Nº. telefónico del agente: \_\_\_\_\_

Fecha de compra: \_\_\_\_\_

Fecha de instalación: \_\_\_\_\_

## Descripción y especificaciones

El Modelo HMS es una bomba centrífuga de etapas múltiples, de extremo de succión y de acoplamiento cerrado para el servicio de transferencia general de líquidos, aplicaciones de unidades reforzadoras, etc. El extremo de líquido es totalmente de acero inoxidable AISI tipo 316 estampado y soldado. Los impulsores son del tipo totalmente encerrado y no pueden regularse a diámetros intermedios. Las carcasas están equipadas con difusores para mejorar la eficiencia y para aplicar una carga insignificante del eje radial.

Todas las unidades tienen motores NEMA 48Y o 56Y con montaje de brida cuadrada y extensión de eje roscado.

## 1. Instrucciones importantes

1.1 Inspeccione la unidad para determinar si está dañada. Notifique cualquier daño al transportista/agente de inmediato.

1.2 El suministro eléctrico debe ser un circuito derivado separado con fusibles o cortacircuitos, tamaños de alambre, etc. en cumplimiento con los códigos eléctricos nacionales y locales. Instale un desconectador de todos los circuitos, cerca de la bomba.

**PRECAUCIÓN:** SIEMPRE DESCONECTE LA CORRIENTE ELÉCTRICA CUANDO MANEJE LA BOMBA O LOS CONTROLES.

1.3 Los motores deben cablearse para la tensión apropiada. El diagrama de alambreado del motor está en la placa del fabricante del motor. El tamaño del alambre debe limitar la caída máxima de tensión al 10% de la tensión de la placa del fabricante en los terminales del motor; de lo contrario se reducirá la vida útil del motor y disminuirá el rendimiento de la bomba.

1.4 Siempre utilice interruptores, contactadores y arrancadores de potencia nominal.

1.5 Protección del motor

1.5.1 Unidades monofásicas: A veces la protección térmica para unidades monofásicas está incorporada (consulte la placa del fabricante). Si no se proporciona protección incorporada, utilice un contactador con una carga apropiada. Se permite instalar fusibles.

1.5.2 Unidades trifásicas: Proporcione protección de tres circuitos derivados con arrancador magnético y sobrecargas térmicas del tamaño adecuado.

1.6 Límites máximos de operación:

Temperatura del líquido: 230°F (110°C)  
Presión de trabajo hasta: 125 PSI (8 Bares)  
Arranques por hora: 20, distribuidos uniformemente

1.7 La inspección y el mantenimiento regulares aumentarán la vida de servicio. Base la programación en el tiempo de operación. Consulte la Sección 8.

## 2. Instalación

2.1 Sitúe la bomba lo más cerca posible de la fuente de líquido (por debajo del nivel de líquido para la operación automática).

2.2 Proteja la bomba contra la congelación o inundación.

2.3 Deje un espacio adecuado para el mantenimiento y la ventilación.

2.4 Todas las tuberías deben apoyarse independientemente de la bomba y deben "alinearse" naturalmente.

**PRECAUCIÓN:** NUNCA INSTALE LA TUBERÍA EN POSICIÓN FORZANDO LAS CONEXIONES DE SUCCIÓN Y DE DESCARGA DE LA BOMBA.

2.5 Evite el uso de accesorios innecesarios. Seleccione los tamaños para mantener las pérdidas por fricción a un mínimo.

2.6 Las unidades pueden instalarse horizontales, inclinadas o verticales.

**PRECAUCIÓN:** NO INSTALAR CON EL MOTOR DEBAJO DE LA BOMBA. CUALQUIER FUGA O CONDENSACIÓN AFECTARÁ EL MOTOR.

2.7 El cimiento debe ser plano y substancial para eliminar el esfuerzo cuando se aprieten los pernos. Utilice monturas de caucho para reducir al mínimo el ruido y la vibración.

2.8 Apriete los pernos de sujeción del motor antes de conectar las tuberías a la bomba.

## 3. Tuberías de succión

3.1 Se desea una elevación de succión estática baja y una tubería de succión corta y directa. Consulte la curva de rendimiento de la bomba con respecto a la carga de succión positiva neta requerida.

3.2 La tubería de succión debe ser al menos del mismo tamaño que la conexión de succión de la bomba. Un tamaño más pequeño degradará el rendimiento.

3.3 Si se requiere un tubo más grande, debe instalarse un reductor de tubo excéntrico (con el lado recto hacia arriba) en la bomba.

3.4 Instalación con la bomba debajo de la fuente de suministro:

3.4.1 Instale una válvula de aislamiento de flujo completo en la tubería para las operaciones de inspección y mantenimiento.

**PRECAUCIÓN:** NO UTILICE LA VÁLVULA DE AISLAMIENTO DE SUCCIÓN PARA REGULAR LA BOMBA.

3.5 Instalación con la bomba sobre la fuente de suministro:

3.5.1 Evite las bolsas de aire. Ninguna parte de la tubería debe estar más alta que la conexión de succión de la bomba. Incline la tubería hacia arriba de la fuente de líquido.

3.5.2 Todas las juntas deben ser herméticas.

3.5.3 Sólo debe usarse una válvula de aspiración si es necesario para el cebado o para retener el cebado en servicio intermitente.

3.5.4 El área abierta del colador de succión debe ser al menos el triple del área del tubo.

3.6 El tamaño de la entrada de la fuente de líquido y la sumersión mínima sobre la entrada deben ser suficientes para evitar la entrada de aire a través de un vórtice. Consulte la figura 1-4.

3.7 Aplique tres o cuatro vueltas de cinta Teflon para sellar las conexiones roscadas.

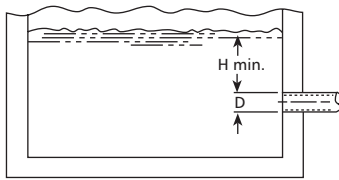


Figura 1

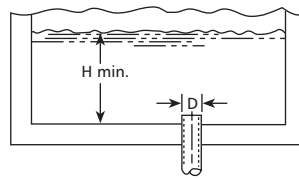


Figura 2

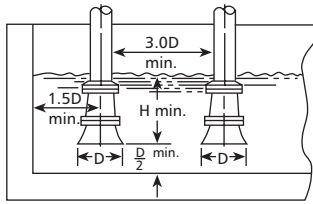


Figura 3

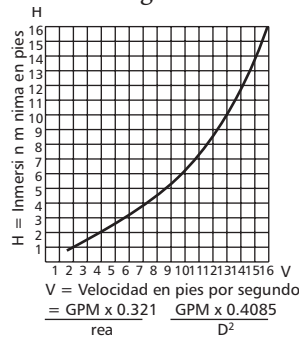


Figura 4

## 4. Tuberías de descarga

- 4.1 Debe incluirse un dispositivo para desconectar la tubería de descarga cerca de la carcasa para permitir desmontar la bomba.
- 4.2 El dispositivo debe incluir una válvula de retención situada entre una válvula de compuerta y la bomba. La válvula de compuerta es para regular la capacidad o para inspeccionar la bomba o la válvula de retención.
- 4.3 Si se requiere un aumentador, colóquelo entre la válvula de retención y la bomba.
- 4.4 Aplique tres o cuatro vueltas de cinta Teflon para sellar las conexiones roscadas.

## 5. Rotación

- 5.1 La rotación correcta es hacia la derecha (en el sentido de las agujas del reloj cuando se mira desde el extremo del motor). Encienda y apague el suministro eléctrico rápidamente. Observe la rotación del eje. Para cambiar la rotación:
  - 5.1.1 Motor monofásico: no reversible
  - 5.1.2 Motor trifásico: Intercambie dos conductores de suministro eléctrico cualesquiera.

## 6. Operación

- 6.1 Antes de arrancar, la bomba debe cebarse (sin aire y la tubería de succión debe estar llena de líquido) y la válvula de descarga debe estar parcialmente abierta.
- 6.2 Efectúe una revisión completa después de haber hecho funcionar la unidad en las condiciones de operación y después que se haya estabilizado la temperatura. Revise para determinar si se ha expandido la tubería.

## 7. Mantenimiento

- 7.1 Los rodamientos están situados en el motor y forman parte del mismo. Están permanentemente lubricados. No se requiere engrasar.

**PRECAUCIÓN:** EL LÍQUIDO BOMBEADO PROPORCIONA LUBRICACIÓN. SI LA BOMBA SE HACE FUNCIONAR SECA, LAS PARTES GIRATORIAS SE AFERRARÁN Y SE DAÑARÁ EL SELLO MECÁNICO. NO HAGA FUNCIONAR LA UNIDAD CON UN FLUJO DE CERO O CERCA DE CERO. LA ENERGÍA APLICADA AL LÍQUIDO SE CONVIERTE EN CALOR. EL LÍQUIDO PODRÍA VAPORIZARSE INSTANTÁNEAMENTE. LAS PARTES GIRATORIAS REQUIEREN LÍQUIDO PARA EVITAR LAS RAYADURAS O AFERRAMIENTO.

## 8. Desmontaje

- 8.1 Se describirá el desmontaje completo de la unidad.
  - 8.1.1 Apague la unidad.
  - 8.1.2 Drene el sistema y enjuéguelo si es necesario.
  - 8.1.3 Desconecte el tubo de descarga de la bomba.
  - 8.1.4 Quite los pernos de sujeción del motor.
- 8.2 Desmontaje del extremo del líquido
  - 8.2.1 Drene el cuerpo de la bomba a través del tapón de drenaje (4).
  - 8.2.2 Quite los tornillos de la carcasa (1) del adaptador del motor (17).
  - 8.2.3 Retire el cuerpo de la bomba (2) y el anillo en O (15) situado entre el cuerpo de la bomba y la caja del sello (16).
  - 8.2.4 Retire la tapa del ventilador del motor (24) para dejar al descubierto las secciones planas o ranura para la llave en el extremo del eje.

**PRECAUCIÓN:** NO INSERTE UN DESTORNILLADOR ENTRE LAS PALETAS DEL VENTILADOR PARA EVITAR LA ROTACIÓN.

- 8.2.5 Sujete el eje del motor en la sección plana o ranura para resistir la rotación y retire la tuerca y arandela del impulsor (5, 6).
- 8.2.6 Ahora se pueden retirar las siguientes partes del eje de la bomba, en secuencia: El difusor con el anillo en O (7, 9), el espaciador del impulsor (8), el impulsor (10), el espaciador del impulsor (8), etc. hasta desmantelar el "elemento hidráulico" completo.

**Nota:** Cada difusor contiene un anillo en O (9).

- 8.2.7 Quite la arandela de reborde (13) del eje de la bomba (18).
- NOTA:** El desmontaje adicional requerirá retirar el sello mecánico. Se recomienda instalar un nuevo sello mecánico al reensamblar.
- 8.2.8 Retire cuidadosamente la sección giratoria del sello mecánico (14) del acoplamiento del eje (19).

8.2.9 Retire la caja del sello (16) del adaptador del motor. Ahora puede retirarse la sección estacionaria del sello mecánico (14) de la caja del sello.

8.2.10 Quite los tornillos del motor (21) del adaptador del motor y retire el adaptador del motor.

8.2.11 Para retirar el eje de la bomba (18) del acoplamiento del eje (19), se debe aplicar calor al extremo pequeño del acoplamiento del eje. Esto es necesario para desprender la adherencia del compuesto Loctite #271 entre el eje de la bomba y el acoplamiento.

**PRECAUCIÓN:** NO DAÑE EL EXTREMO PEQUEÑO DEL ACOPLAMIENTO DE LA BOMBA EN EL LUGAR DE ASENTAMIENTO DEL SELLO MECÁNICO.

Sujete el eje del motor en las secciones planas o ranuras para resistir la rotación. Repita para retirar el acoplamiento del eje del eje del motor, esta vez calentando el extremo grande del acoplamiento del eje.

## 9. Reensamblaje

9.1 Deben limpiarse todas las partes antes del reensamblaje. Quite todo el loctite curado de piezas usando el cepillo desnaturalizado del alcohol y de alambre. Permita que las piezas se sequen antes de nuevo ensamble.

9.2 Consulte la lista de partes para identificar los artículos de reemplazo requeridos. Especifique el número de índice o de catálogo cuando ordene partes.

9.3 Reensamble en el orden inverso del desmontaje.

**NOTA:** Los espaciadores del impulsor deben ensamblarse con el borde de diámetro más grande adyacente a cada impulsor. El difusor de la última etapa (12) puede identificarse de la unidad estándar por los agujeros alrededor de su circunferencia; se recomienda que uno de estos agujeros se alinee con el orificio de descarga. Fije el elemento hidráulico apretando el tornillo del impulsor (5) y la arandela del impulsor (6) a una torsión de 10 pies. Posicione el anillo en O (15) sobre la caja del sello mecánico (16), identifique el cuerpo de la bomba (2) y conéctelo al adaptador del motor (17) con los cuatro tornillos (1).

**Observe lo siguiente cuando reensamble la bomba:**

- 9.4 Asegúrese de que el eje no esté descentrado. El máximo permitido es 0,002 pulg. TIR.
- 9.5 Aplique Loctite 'Primer 7649' y permita que 2-3 minutos se sequen. Aplique después Loctite #271 al eje del motor, atornille el eje del acoplamiento en posición y torsione a 15 pies.
- 9.6 Aplique Loctite 'Primer 7649' al eje de la bomba y permita que 2-3 minutos se sequen. Aplique después Loctite #271 al eje de la bomba. Atornille el eje de la bomba en posición y torsione a 15 pies.
- 9.7 Asegúrese de que el eje de la bomba no esté descentrado. El máximo permitido es 0.010 TIR (lectura total del indicador).
- 9.8 Lubrique el acoplamiento del eje y el portaasiento estacionario de la caja del sello con una solución 50/50 de glicerina y agua antes de la instalación de los componentes del sello mecánico.

9.9 Aplique Loctite 'Primer 7649' y permita que 2-3 minutos se sequen. Entonces aplique Loctite #243 al perno del impulsor (5). Instale el perno en el eje de la bomba y torsiónelo a 10 lb.-pies de torsión.

9.10 Inspeccione el anillo en O de la carcasa (15) y los anillos en O del impulsor (9) para determinar si están dañados o gastados y reemplácelos si es necesario.

9.11 Los anillos en O pueden lubricarse con una solución de glicerina y agua o gelatina de petróleo para facilitar el montaje.

9.12 Apriete los tornillos de la carcasa a una torsión de 15 lb.-pies en una configuración de estrella para evitar el roce de los mismos.

## 10. Guía de identificación y resolución de problemas

**EL MOTOR NO ESTÁ FUNCIONANDO**

(Ver las causas 1 a 6)

**SE ENTREGA POCO O NADA DE LÍQUIDO**

(Ver las causas 7 a 17)

**EL CONSUMO DE ELECTRICIDAD ES DEMASIADO ALTO**

(Ver las causas 4, 17, 18, 19, 22)

**RUIDO Y VIBRACIÓN EXCESIVOS**

(Ver las causas 4, 6, 9, 13, 15, 16, 18, 20, 21, 22)

**CAUSA PROBABLE**

1. Protector térmico disparado
2. Cortacircuitos abierto
3. Fusible quemado
4. Roce de las partes giratorias
5. Cableado incorrecto del motor
6. Motor defectuoso
7. Falta de cebado
8. Descarga bloqueada o válvula cerrada
9. Rotación incorrecta
10. Válvula de aspiración demasiado pequeña, la succión no está sumergida, el filtro de entrada está tapado.
11. Baja tensión
12. Pérdida de fase (unidades trifásicas únicamente)
13. Aire o gases en el líquido
14. Carga del sistema demasiado alta
15. NPSHA demasiado bajo:  
Elevación de succión demasiado alta o pérdidas de succión excesivas  
Revise con un indicador de vacío
16. Impulsor gastado o taponado
17. Diámetro incorrecto del impulsor
18. Carga demasiado baja, produciendo una velocidad de flujo excesiva
19. Viscosidad o peso específico del fluido demasiado alto
20. Cojinetes gastados
21. Bomba o tubería suelta
22. Bomba y motor desalineados

## Lista de partes

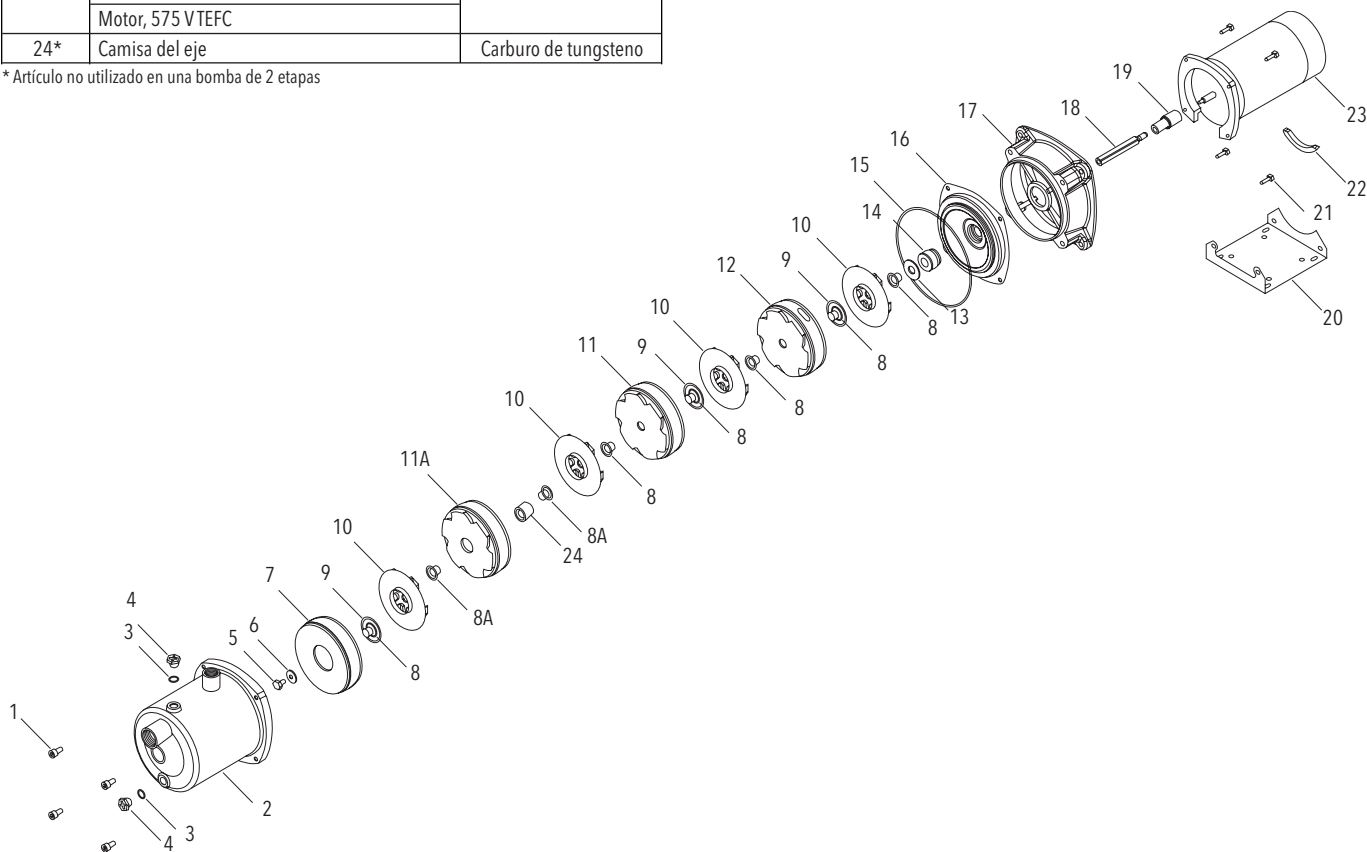
Art. N°.	Descripción de la parte	Material
1	Tornillo, de la carcasa	Ac. inox. 400
2	Bomba, carcasa con tapón y anillos en O de Viton	Ac. inox. 316L
3	Anillo en O, tapón de llenado y de drenaje	Viton
4	Tapón de llenado y de drenaje	Ac. inox. 315
5	Perno del impulsor	Ac. inox. 316
6	Arandela de seguridad del impulsor	Ac. inox. 316
7	Tapa del difusor, primera etapa	Ac. inox. 316L
8	Espaciador del impulsor	Ac. inox. 316L
8A*	Espaciador del impulsor (intermedio)	316L SS
9	Anillo en O, impulsor	EPR Viton opcional
10	Impulsor	Ac. inox. 316L
11	Difusor, intermedio	Ac. inox. 316L
11A*	Difusor with bushing	316L SS
12	Difusor, última etapa	Ac. inox. 316L
13	Arandela, sello mecánico	Ac. inox. 316
14	Sello mecánico	Varía
15	Anillo en O, carcasa	EPR Viton opcional
16	Caja del sello	Ac. inox. 316L
17	Adaptador del motor	Aluminio
18	Eje, bomba	Ac. inox. 316
19	Acoplamiento del eje	Ac. inox. 316
20	Pata, bomba	Acero
21	Tornillo, motor al adaptador del motor	Acero
22	Espaciador	Caucho
23	Motor, monofásico ODP Motor, trifásico ODP Motor, 575 V ODP Motor, monofásico TEFC Motor, trifásico, TEFC Motor, 575 V TEFC	Ac. inox. 303
24*	Camisa del eje	Carburo de tungsteno

\* Artículo no utilizado en una bomba de 2 etapas

Tabla de aplicación del sello mecánico					
Gira- torio	Estacionario	Elastómero	Partes de metal	Parte N°.	
				Before	After
				SN: F0264029 •	
Carbón	Carburo de silicio	EPR	Ac. inox. 316	-	10L35
		Viton		10L32**	10L36
	Carburo de silicio			-	10L34

• For pumps used in conjunction with the AquaBoost pumping system, use SN F0265181.

\*\* Replacement for 10L29, 10L30 and 10L31



### GARANTÍA LIMITADA DE GOULDS WATER TECHNOLOGY

Esta garantía es aplicable a todas las bombas para sistemas de agua fabricadas por Goulds Water Technology.

Toda parte o partes que resulten defectuosas dentro del período de garantía serán reemplazadas sin cargo para el comerciante durante dicho período de garantía. Tal período de garantía se extiende por doce (12) meses a partir de la fecha de instalación, o dieciocho (18) meses a partir de la fecha de fabricación, cualquiera se cumpla primero.

Todo comerciante que considere que existe lugar a un reclamo de garantía deberá ponerse en contacto con el distribuidor autorizado de Goulds Water Technology del cual adquiriera la bomba, y ofrecer información detallada con respecto al reclamo. El distribuidor está autorizado a liquidar todos los reclamos por garantía a través del Departamento de Servicios a Clientes de Goulds Water Technology.

**La presente garantía excluye:**

- (a) La mano de obra, el transporte y los costos relacionados en los que incurra el comerciante;
- (b) los costos de reinstalación del equipo reparado;
- (c) los costos de reinstalación del equipo reemplazado;
- (d) daños emergentes de cualquier naturaleza; y
- (e) el reembolso de cualquier pérdida causada por la interrupción del servicio.

**A los fines de esta garantía, los términos “Distribuidor”, “Comerciante” y “Cliente” se definen como sigue:**

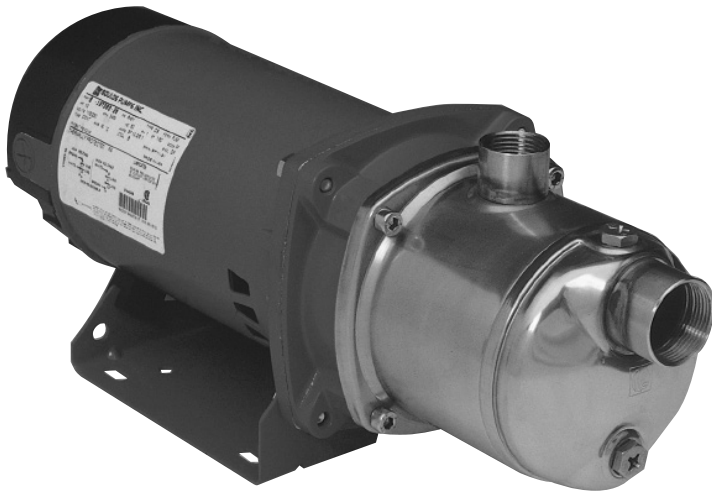
- (1) “Distribuidor” es aquel individuo, sociedad, corporación, asociación u otra entidad jurídica que opera entre Goulds Water Technology y el comerciante para la compra, consignación o contratos de venta de las bombas en cuestión.
- (2) “Comerciante” es todo individuo, sociedad, corporación, asociación u otra entidad jurídica que realiza negocios de venta o alquiler-venta (leasing) de bombas a clientes.
- (3) “Cliente” es toda entidad que compra o que adquiere bajo la modalidad de leasing las bombas en cuestión de un comerciante. El término “cliente” puede significar un individuo, una sociedad, una corporación, una sociedad de responsabilidad limitada, una asociación o cualquier otra entidad jurídica con actividades en cualquier tipo de negocios.

**LA PRESENTE GARANTÍA SE EXTIENDE AL COMERCIANTE ÚNICAMENTE**



Xylem, Inc.  
2881 East Bayard Street Ext., Suite A  
Seneca Falls, NY 13148  
Teléfono: (800) 453-6777  
Fax: (888) 322-5877  
[www.xylem.com/brands/gouldswatertechnology](http://www.xylem.com/brands/gouldswatertechnology)

Goulds es una marca registrada de Goulds Pumps, Inc. y se utiliza bajo licencia.  
© 2012 Xylem Inc. IM083 Revisión Número 5 Julio 2012



# Modèle HMS

**DIRECTIVES D'INSTALLATION, D'UTILISATION ET D'ENTRETIEN**

## Table des matières

SUJET	PAGE
Description et caractéristiques .....	17
Directives importantes.....	17
Installation .....	17
Tuyauterie d'aspiration .....	17
Tuyauterie de refoulement .....	18
Sens de rotation.....	18
Utilisation.....	18
Entretien .....	18
Démontage.....	18
Remontage .....	19
Diagnostic des anomalies.....	19
Liste de pièces de rechange.....	20
Déclaration de conformité.....	23
Garantie limitée.....	24

## Informations pour le propriétaire

Noter ci-dessous les informations de la plaque signalétique de la pompe. La garantie est présentée en page 24.

Modèle de pompe : \_\_\_\_\_

Numéro de série : \_\_\_\_\_

Détaillant : \_\_\_\_\_

N° de téléphone du détaillant : \_\_\_\_\_

Date d'achat : \_\_\_\_\_

Date d'installation : \_\_\_\_\_



## Description et caractéristiques

Le modèle HMS est une pompe centrifuge multi-étagée formant un groupe monobloc (montée sur moteur), à aspiration en bout, servant au transfert de liquides de nature générale, à l'augmentation de pression, etc. La tête de pompage est tout en inox AISI de type 316 estampé et soudé. Les roues sont fermées et ne peuvent être réduites à un diamètre intermédiaire. Le corps de pompe est muni de diffuseurs pour améliorer le rendement et rendre la charge radiale de l'arbre négligeable.

La pompe est montée sur un moteur NEMA 48Y ou 56Y à bride de fixation carrée et à rallonge d'arbre fileté.

## 1. Directives importantes

- 1.1 Inspecter l'appareil et signaler immédiatement tout dommage au transporteur ou au détaillant.
- 1.2 L'alimentation électrique doit être assurée par un circuit de dérivation distinct dont les fusibles ou les disjoncteurs, le calibre des fils, etc. sont conformes aux prescriptions du code provincial ou national de l'électricité. Poser un sectionneur tout conducteur près de la pompe.

**ATTENTION !: ON DOIT TOUJOURS COUPER LE COURANT LORSQUE L'ON EFFECTUE QUELQUE TRAVAIL QUE CE SOIT SUR LA POMPE OU SUR LES COMMANDES.**

- 1.3 Le câblage d'alimentation du moteur doit convenir à la tension de fonctionnement. Le schéma de câblage se trouve sur la plaque signalétique du moteur. Les fils doivent avoir un calibre limitant la chute de tension maximale, aux bornes du moteur, à 10% de la valeur de tension indiquée sur la plaque signalétique, sinon la durée de vie du moteur et les performances de la pompe diminueront.
- 1.4 Il faut toujours employer des contacteurs et des démarreurs de puissance nominale en horse-power (hp).
- 1.5 Protection du moteur
  - 1.5.1 Moteurs monophasés – Ces moteurs sont parfois munis d'une protection thermique intégrée (voir la plaque signalétique). Dans le cas contraire, utiliser un contacteur à protection appropriée contre les surcharges. Les dispositifs fusibles sont permis.
  - 1.5.2 Moteurs triphasés – Employer une protection trois conducteurs appropriée contre les surcharges thermiques ainsi qu'un démarreur magnétique convenant à la charge électrique.
- 1.6 Limites d'utilisation maximales
  - Température du liquide: 110 °C (230 °F)
  - Pression: 862 kPa (8,62 bar ou 125 lb/po<sup>2</sup>)
  - Démarrages par heure: 20, répartis uniformément
- 1.7 Une inspection et un entretien réguliers augmenteront la durée de vie de l'appareil. Établir un programme d'entretien et d'inspection basé sur le temps de fonctionnement. Voir la section 8.

## 2. Installation

- 2.1 Placer la pompe aussi près de la source de liquide que possible (au-dessous du niveau du liquide pour qu'elle fonctionne automatiquement).
- 2.2 Protéger l'appareil contre les inondations et le gel.

2.3 Laisser assez d'espace pour l'entretien et l'aération.

2.4 La tuyauterie doit posséder ses propres supports et «être alignée» sans contrainte sur la pompe.

**ATTENTION !: LA TUYAUTERIE DOIT ÊTRE POSÉE DE FAÇON À NE JAMAIS APPLIQUER DE CONTRAINTES SUR LES RACCORDS D'ASPIRATION ET DE REFOULEMENT DE LA POMPE.**

2.5 Ne poser aucun accessoire ni raccord de tuyauterie superflus. Choisir le calibre approprié pour réduire les pertes de charge au minimum.

2.6 Les pompes peuvent être installées à l'horizontale, à la verticale ou sur une surface inclinée.

**ATTENTION !: NE PAS PLACER LE MOTEUR PLUS BAS QUE LA POMPE AFIN DE LE PROTÉGER CONTRE LES FUITES ET L'EAU DE CONDENSATION.**

2.7 L'assise doit être plane et solide pour empêcher que le serrage des boulons ne cause de contraintes. Monter l'appareil sur caoutchouc pour réduire le bruit et les vibrations au minimum.

2.8 Serrer les boulons de fixation du moteur avant de raccorder la tuyauterie à la pompe.

## 3. Tuyauterie d'aspiration

- 3.1 Une hauteur géométrique d'aspiration réduite et une tuyauterie directe et courte sont souhaitables. Consulter la courbe de performances de la pompe pour obtenir la hauteur nette d'aspiration requise (NPSHR).
- 3.2 Le calibre du tuyau d'aspiration doit être au moins égal à celui du raccord d'aspiration de la pompe pour éviter une perte de performances.
- 3.3 S'il faut un tuyau plus gros, on doit installer un raccord réducteur excentré (le côté non oblique en haut) à la pompe.
- 3.4 Pompe placée plus bas que la source de liquide:
  - 3.4.1 Poser un robinet d'isolement à passage intégral sur le tuyau d'aspiration pour l'inspection et l'entretien.

**ATTENTION !: NE PAS EMPLOYER LE ROBINET D'ISOLEMENT POUR RÉDUIRE LA SECTION DE PASSAGE VERS LA POMPE.**

- 3.5 Pompe placée plus haut que la source de liquide:
  - 3.5.1 Afin de prévenir les poches d'air, aucun élément de la tuyauterie d'aspiration ne devrait être plus haut que le raccord d'aspiration de la pompe. Donner à la tuyauterie une inclinaison vers le haut à partir de la source de liquide.
  - 3.5.2 Chaque joint doit être étanche.
  - 3.5.3 On n'emploiera un clapet de pied que s'il est requis pour amorcer la pompe ou la maintenir amorcée pendant les arrêts.
  - 3.5.4 La section de passage de la crépine du tuyau d'aspiration doit être au moins le triple de celle du tuyau.
- 3.6 Le diamètre (d) et la hauteur d'immersion minimale (h min.) de l'entrée du tuyau d'aspiration doivent être suffisants pour empêcher l'aspiration d'air par vortex (v. fig. 1 à 4).
- 3.7 Enrouler les raccords filetés de 3 ou 4 couches de ruban de téflon pour les étancher.

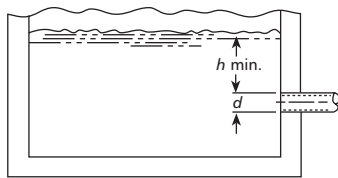


Figure 1

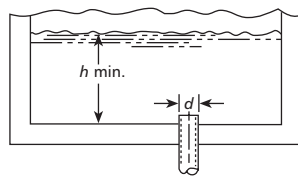


Figure 2

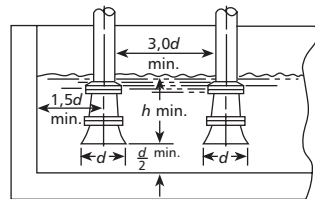


Figure 3

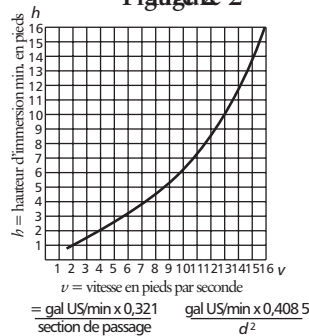


Figure 4

## 4. Tuyauterie de refoulement

- 4.1 Prévoir assez d'espace près du corps de pompe pour pouvoir déconnecter le tuyau de refoulement et démonter la pompe.
- 4.2 L'installation doit comporter un robinet-vanne, ainsi qu'un clapet de non-retour placé entre le robinet-vanne et la pompe. Le robinet-vanne sert à la régularisation du débit et à l'inspection de la pompe et du clapet de non-retour.
- 4.3 Si un raccord agrandisseur est nécessaire, le poser entre le clapet de non-retour et la pompe.
- 4.4 Enrouler les raccords filetés de 3 ou 4 couches de ruban de téflon pour les étancher.

## 5. Sens de rotation

- 5.1 La rotation appropriée est en sens horaire (vers la droite, vue de l'extrémité du moteur). Démarrer et arrêter la pompe immédiatement pour observer le sens de rotation de l'arbre. Changer le sens de rotation comme suit.
  - 5.1.1 Moteur monophasé : sans objet (irréversible).
  - 5.1.2 Moteur triphasé : intervertir deux conducteurs d'alimentation du moteur.

## 6. Utilisation

- 6.1 Avant de mettre la pompe en service, on doit l'amorcer (pour en chasser l'air), remplir de liquide le tuyau d'aspiration et entrouvrir le robinet de refoulement.
- 6.2 Faire fonctionner l'appareil dans des conditions normales jusqu'à ce que sa température se soit stabilisée, puis vérifier tout le système. Vérifier également si la tuyauterie se dilate.

## 7. Entretien

7.1 Les roulements à billes sont situés à l'intérieur du moteur et sont lubrifiés à vie. Aucun graissage n'est requis.

**ATTENTION ! : LE LIQUIDE POMPÉ SERT DE LUBRIFIANT. SI LA POMPE TOURNAIT À SEC, LES PIÈCES MOBILES GRIPPERAIENT, ET LA GARNITURE MÉCANIQUE S'ENDOMMAGERAIT. IL NE FAUT DONC PAS FAIRE MARCHER LA POMPE LORSQUE LE DÉBIT EST NUL OU PRESQUE, CAR LE LIQUIDE ABSORBERAIT LA CHALEUR PRODUITE PAR FROTTEMENT ET POURRAIT SE CHANGER RAPIDEMENT EN VAPEUR. LES PIÈCES MOBILES DOIVENT ÊTRE LUBRIFIÉES PAR LE LIQUIDE POUR NE PAS SUBIR DE DOMMAGES NI GRIPPER.**

## 8. Démontage

- 8.1 Le démontage complet de la pompe est décrit ci-dessous. Ne démonter que ce qui permet d'effectuer l'entretien nécessaire.
    - 8.1.1 Couper le courant.
    - 8.1.2 Vidanger le système. Le rincer au besoin.
    - 8.1.3 Séparer le tuyau de refoulement de la pompe.
    - 8.1.4 Enlever les boulons de fixation du moteur.
  - 8.2 Démontage de la tête de pompage :
    - 8.2.1 Vidanger le corps de pompe à l'aide du bouchon de vidange (4).
    - 8.2.2 Enlever les vis de fixation (1) du corps de pompe à l'adaptateur de moteur (17).
    - 8.2.3 Déposer le corps de pompe (2) et le joint torique (15) situé entre le corps de pompe et le logement de garniture (16).
    - 8.2.4 Ôter le couvercle de ventilateur du moteur (23) pour accéder aux méplats ou à la fente de blocage de l'arbre, à l'extrémité de celui-ci.
- ATTENTION ! : NE PAS INSÉRER DE TOURNEVIS ENTRE LES PALES DU VENTILATEUR POUR EMPÊCHER L'ARBRE DE TOURNER.**
- 8.2.5 Bloquer l'arbre, puis enlever la vis de fixation (5) des roues et la rondelle-frein (6).
  - 8.2.6 On peut maintenant déposer les pièces dans l'ordre suivant : diffuseur (7), joint torique (9), entretoise de roue (8), roue (10), entretoise de roue intermédiaire (8A), diffuseur (11), etc., jusqu'à ce que l'«organe de pompage» en entier soit démonté.
 

**Nota :** Chaque diffuseur possède un joint torique (9).
  - 8.2.7 Enlever de l'arbre de pompe (18) la rondelle d'épaulement (13) de la garniture mécanique.
- NOTA :** Un démontage plus poussé nécessitera la dépose de la garniture mécanique, qu'il est préférable de remplacer alors par une neuve.
- 8.2.8 Avec précaution, retirer de l'accouplement (19) l'élément mobile de la garniture mécanique (14).
  - 8.2.9 Séparer le logement de garniture (16) de l'adaptateur de moteur. On peut maintenant extraire du logement l'élément fixe de la garniture mécanique.
  - 8.2.10 Enlever les vis de fixation (21) de l'adaptateur au moteur, puis l'adaptateur.

8.2.11 Pour séparer l'arbre de pompe (18) de l'accouplement (19), on doit chauffer la petite extrémité de celui-ci afin de supprimer l'adhérence du Loctite n° 271 les liant.

**ATTENTION !: NE PAS ENDOMMAGER LA PETITE EXTRÉMITÉ DE L'ACCOUPEMENT, QUI SERT DE SIÈGE À LA GARNITURE MÉCANIQUE.**

Retenir l'arbre de moteur à l'aide des méplats ou de la fente de blocage, puis enlever l'accouplement de l'arbre en chauffant la grosse extrémité de l'accouplement.

## 9. Remontage

9.1 Chaque pièce devrait être nettoyée avant le remontage. Avec une brosse en métal et de l'alcool dénaturé, enlever les résidus de Loctite des pièces. Laisser sécher celles-ci avant de les reposer.

9.2 Voir la liste de pièces de rechange pour déterminer celles qui sont requises. Préciser le numéro de pièce ou de catalogue de la pompe lorsque l'on commande des pièces.

9.3 Le remontage se fait dans l'ordre inverse du démontage.

**NOTA :** Placer la grosse extrémité de chaque entretoise de roue près de sa roue. Le pourtour du diffuseur (12) du dernier étage est muni d'orifices. Il est recommandé d'aligner l'un de ceux-ci sur l'orifice de refoulement. Assujettir les éléments de l'organe de pompage à l'aide de la rondelle-frein (6) et de la vis de fixation (5) des roues, serrée à 10 lbf-pi. Poser le joint torique (15) sur le logement de garniture (16), puis fixer le corps de pompe (2) à l'adaptateur de moteur (17) avec ses quatre vis (1).

**Observer les directives suivantes pour remonter la pompe :**

9.4 Vérifier si l'arbre de moteur comporte un faux-rond : le maximum admissible est de 0,002 po.

9.5 Appliquer sur le filet de l'arbre de moteur de l'apprêt Loctite 7649, le laisser sécher de 2 à 3 minutes, puis l'enduire de Loctite 271 et visser l'accouplement à l'arbre à 15 lbf-pi.

9.6 Appliquer sur le filet de l'arbre de pompe de l'apprêt Loctite 7649, le laisser sécher de 2 à 3 minutes, puis l'enduire de Loctite 271 et visser l'arbre à l'accouplement à 15 lbf-pi.

9.7 Vérifier si l'arbre de pompe comporte un faux rond : le maximum admissible est de 0,010 po.

9.8 Avant de poser les éléments de la garniture mécanique, lubrifier l'accouplement et le siège de l'élément fixe (au centre du logement de garniture) avec une solution contenant moitié glycérine et moitié eau.

9.9 Appliquer sur le filet de la vis de roue (5) de l'apprêt Loctite 7649, le laisser sécher de 2 à 3 minutes, puis l'enduire de Loctite 243 et visser la vis à l'arbre de pompe à 10 lbf-pi.

9.10 Inspecter le joint torique (15) du corps de pompe et celui (9) de chaque roue et les changer s'ils sont usés ou endommagés.

9.11 On peut enduire les joints toriques de pétrolatum (vaseline) ou d'une solution de glycérine et d'eau pour en faciliter la pose.

9.12 Serrer les vis du corps de pompe en croix à 15 lbf-pi pour éviter toute déformation excessive du joint torique.

## 10. Diagnostic des anomalies

**NON-FONCTIONNEMENT DU MOTEUR**

(V. causes probables 1 à 6)

**DÉBIT DE LIQUIDE FAIBLE OU NUL**

(V. causes probables 7 à 17)

**CONSOMMATION D'ÉNERGIE EXCESSIVE**

(V. causes probables 4, 17, 18, 19 et 22)

**VIBRATION ET BRUIT EXCESSIFS**

(V. causes probables 4, 6, 9, 13, 15, 16, 18, 20, 21 et 22)

**CAUSE PROBABLE**

1. Protecteur thermique déclenché
2. Disjoncteur ouvert
3. Fusible sauté
4. Pièces mobiles grippées
5. Moteur mal connecté
6. Moteur défectueux
7. Pompe non amorcée
8. Tuyau de refoulement obstrué ou robinet fermé
9. Mauvais sens de rotation
10. Clapet de pied trop petit, entrée de tuyau d'aspiration non immergée, crépine de tuyau d'aspiration obstruée
11. Basse tension électrique
12. Perte de phase (moteurs triphasés seulement)
13. Présence d'air ou de gaz dans le liquide
14. Hauteur de charge trop élevée du système
15. Hauteur nette d'aspiration disponible (NPSHA) trop faible : hauteur ou perte d'aspiration excessives – à vérifier avec un vacuomètre
16. Roues usées ou engorgées
17. Diamètre de roue inapproprié
18. Hauteur de charge trop faible : débit excessif
19. Viscosité ou densité trop élevées
20. Roulements usés
21. Pompe ou tuyauterie mal assujetties
22. Pompe et moteur désalignés

## Liste de pièces de rechange

Article	Description	Matériau
1	Vis (corps de pompe)	Inox 400
2	Corps de pompe	Inox 316L
3	Joints toriques (bouchons - rempl., vid.)	Viton
4	Bouchons (remplissage et vidange)	Inox 315
5	Vis (roues)	Inox 316
6	Rondelle-frein (roues)	Inox 316
7	Enveloppe de diffuseur (premier étage)	Inox 316L
8	Entretoises (roues)	Inox 316L
8A*	Entretoises intermédiaires (roues)	Inox 316L
9	Joints toriques (roues)	Éthylène-propylène Viton (en option)
10	Roues	Inox 316L
11	Diffuseur (étage intermédiaire)	Inox 316L
11A*	Diffuseur avec bague	Inox 316L
12	Diffuseur (dernier étage)	Inox 316L
13	Rondelle d'épaulement (garniture mécan.)	Inox 316
14	Garniture mécanique	Voir ci-contre.
15	Joint torique (corps de pompe)	Éthylène-propylène Viton (en option)
16	Logement de garniture	Inox 316L
17	Adaptateur de moteur	Aluminium
18	Arbre de pompe	Inox 316
19	Accouplement	Inox 316
20	Plaque-support (moteur)	Acier
21	Vis (moteur-adaptateur de moteur)	Acier
22	Entretoise	Caoutchouc
23	Moteur, 1 PH, abrité Moteur, 3 PH, abrité Moteur, 575 V, abrité Moteur, 1 PH, fermé autoventilé Moteur, 3 PH, fermé autoventilé Moteur, 575 V, fermé autoventilé	Inox 303
24*	Chemise d'arbre	Carbure de tungstène

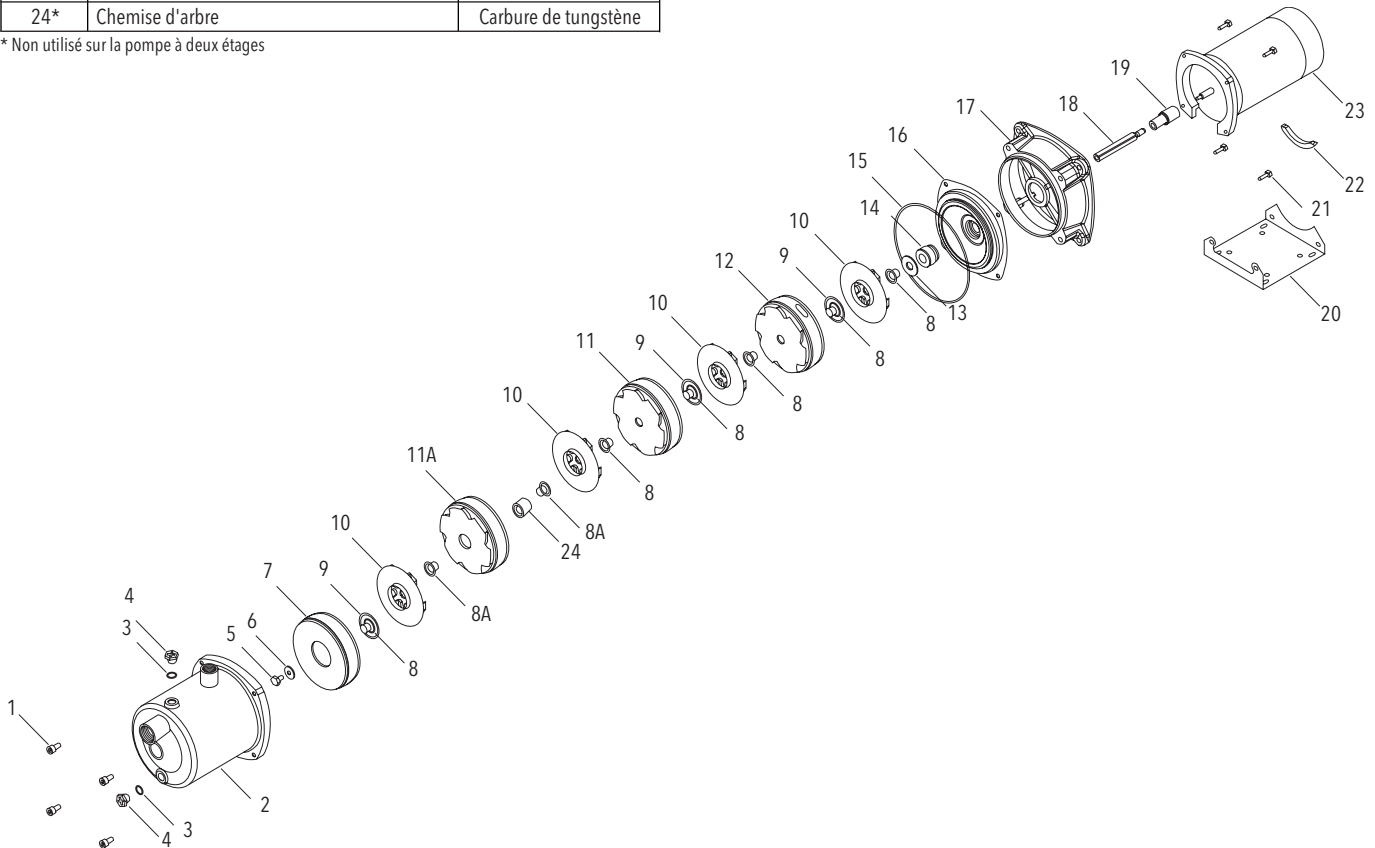
\* Non utilisé sur la pompe à deux étages

Matériaux des garnitures mécaniques					
Élément mobile	Élément fixe	Élastomère	Métal	N° de pièce	
				Avant	Maintenant
				F0264029 <sup>1</sup>	
Carbone	Carbure de silicium	É-P <sup>2</sup>	Inox 316		10L35
		Viton		10L32 <sup>3</sup>	10L36
	Carbure de silicium				10L34

<sup>1</sup> Numéro de série, mais employer le numéro F0265181 pour les HMS utilisées avec le système de pompage AquaBoost.

<sup>2</sup> É-P = éthylène-propylène.

<sup>3</sup> Numéro de pièce remplaçant 10L29, 10L30 et 10L31.







## **Declaration of Conformity**

---

We at,  
Goulds Water Technology/Xylem Inc.  
1 Goulds Drive  
Auburn, NY 13021

Declare that the following products: NPE, MCS, MCC, 3656, 3656 SP, GB, e-SV, SVI, NPO, Prime Line SP, HB, HMS, LC, NPV, LB, LBS comply with Machine Directive 06/42/EC. This equipment is intended to be incorporated with machinery covered by this directive, but must not be put into service until the machinery into which it is to be incorporated has been declared in conformity with the actual provisions of the directive.

## **Declaración de Conformidad**

---

Nosotros en  
Goulds Water Technology/Xylem Inc.  
1 Goulds Drive  
Auburn, NY 13021

Declaramos que los siguientes productos: NPE, MCS, MCC, 3656, 3656 SP, GB, e-SV, SVI, NPO, Prime Line SP, HB, HMS, LC, NPV, LB, LBS cumplen con las Directivas para Maquinarias 06/42/EC. Este equipo ha sido diseñado para ser incorporado a la maquinaria cubierta por esta directiva pero no debe ponerse en funcionamiento hasta que se declare que la maquinaria en la que será incorporado cumple con las disposiciones reales de la directiva.

## **Déclaration de Conformité**

---

Nous, à  
Goulds Water Technology/Xylem Inc.  
1 Goulds Drive  
Auburn, NY, U.S.A. 13021,

déclarons que les produits NPE, MCS, MCC, 3656, 3656 SP, GB, e-SV, SVI, NPO, Prime Line SP, HB, HMS, LC, NPV, LB et LBS sont conformes à la directive 06/42/EC (législation relative aux machines). Ils sont destinés à être intégrés dans la machinerie faisant l'objet de ladite directive, mais ne doivent pas être mis en service tant que la machinerie en question ne sera pas déclarée conforme aux stipulations de la directive.

### GARANTIE LIMITÉE DE GOULDS WATER TECHNOLOGY

La présente garantie s'applique à chaque pompe de système d'alimentation en eau fabriquée par Goulds Water Technology.

Toute pièce se révélant défectueuse durant la période de garantie sera remplacée sans frais pour le détaillant durant ladite période, qui dure douze (12) mois à compter de la date d'installation ou dix-huit (18) mois à partir de la date de fabrication, soit la période qui expirera la première.

Le détaillant qui, aux termes de cette garantie, désire effectuer une demande de règlement doit s'adresser au distributeur Goulds Water Technology agréé chez lequel la pompe a été achetée et fournir tous les détails à l'appui de sa demande. Le distributeur est autorisé à régler toute demande par le biais du service à la clientèle de Goulds Water Technology.

**La garantie ne couvre pas :**

- a) les frais de main-d'oeuvre ou de transport ni les frais connexes encourus par le détaillant ;
- b) les frais de réinstallation de l'équipement réparé ;
- c) les frais de réinstallation de l'équipement de remplacement ;
- d) les dommages indirects de quelque nature que ce soit ;
- e) ni les pertes découlant de la panne.

**Aux fins de la présente garantie, les termes ci-dessous sont définis comme suit :**

- 1) "Distributeur" signifie une personne, une société de personnes, une société de capitaux, une association ou autre entité juridique servant d'intermédiaire entre Goulds Water Technology et le détaillant pour les achats, les consignations ou les contrats de vente des pompes en question.
- 2) "Détaillant" veut dire une personne, une société de personnes, une société de capitaux, une association ou autre entité juridique dont les activités commerciales sont la vente ou la location de pompes à des clients.
- 3) "Client" signifie une entité qui achète ou loue les pompes en question chez un détaillant. Un "client" peut être une personne, une société de personnes, une société de capitaux, une société à responsabilité limitée, une association ou autre entité juridique se livrant à quelque activité que ce soit.

**CETTE GARANTIE SE RAPPORTE AU DÉTAILLANT SEULEMENT.**



Xylem, Inc.  
2881 East Bayard Street Ext., Suite A  
Seneca Falls, NY 13148  
Téléphone: (800) 453-6777  
Télécopie: (888) 322-5877  
[www.xylem.com/brands/gouldswatertechnology](http://www.xylem.com/brands/gouldswatertechnology)

Goulds est une marque déposée de Goulds Pumps, Inc. et est utilisé sous le permis.  
© 2012, Xylem Inc. IM083 Révision numéro 5 Juillet 2012