



4XD 50 Hz

SUBMERSIBLE 4" NON-CLOG EXPLOSION PROOF SEWAGE PUMP

50 Hz Wastewater

FEATURES

Impeller: Cast iron, two vane closed design for high efficiency and maximum wear life. Balanced for smooth operation. Optional bronze impeller available.

Bronze Wear Ring: Replaceable to renew the running clearances and efficiencies to original conditions.

Casing: Heavy duty cast iron, volute type for maximum efficiency. 4" 125# ANSI cast iron flanged. Adaptable to guide rail mounting system.

Tandem Seals: Two independently mounted mechanical face type seals are separated by an oil filled chamber. The oil chamber acts as a barrier to trap moisture and provide time for a planned shutdown and maintenance. The oil provides lubrication to the internal (upper) seal. Carbon rotating and ceramic stationary faces are standard on both internal (upper) and external (lower) seals. Optional materials are available for the lower seals. See the Nomenclature Page for order number changes to order either silicon carbide/silicon carbide faces with Viton or silicon carbide/tungsten carbide faces with Viton elastomers. These are recommended for applications containing fine solids or abrasives as found in parking lot/garage drainage and construction dewatering jobs.

APPLICATIONS

Heavy duty design features for a wide range of commercial and industrial applications such as:

- Sewage systems
- Flood and pollution control
- Industrial dewatering
- Wastewater treatment plants
- Municipal and subdivision lift stations

SPECIFICATIONS

Pump:

- Solids handling capabilities: 3" maximum.
- Discharge size: 4" 125# ANSI flanged.
- Capacities: up to 1100 GPM.
- Total heads: up to 105 feet.
- Minimum flow: 100 GPM.
- Maximum flow: end of published curve.
- Mechanical seals: 304 stainless steel metal parts, BUNA-N elastomers with carbon/rotary and ceramic/stationary faces standard for upper and lower seals. Optional lower seals are available with Viton elastomers and either silicon carbide/silicon carbide or silicon carbide/tungsten carbide faces.
- Fasteners: 300 series stainless steel

Motor:

- **Explosion Proof Motor:** Motors up to and including 20 HP are rated as Class F, 1.15 service factor and are certified explosion proof for Class I, Division I, Groups C and D locations.
- CSA certified motors (Canadian Standards Association).

Moisture Protection System: Two-wire, dual moisture sensing probes are located in the oil filled chamber between the inner and outer seals. When connected to a control panel with an optional Moisture Detection System and an alarm it will detect the presence of moisture should the outer seal fail. It will also detect moisture in the motor chamber and provide a warning prior to water levels reaching the bearing or stator.

Designed for Continuous Operation: Motor is rated continuous duty submerged condition in water that is 40° C or below. Maximum runtime with pump un-submerged for 7½-20 HP is 15 minutes. Motor is suitable for 10 starts per hour.

Bearings: Ball, single-row, angular contact, Conrad type bearings with a Class 3 internal fit conforming to AFBMA Standard 20 are used. The bearings are greased for life with a premium moisture resistant polyurea thickened grease containing rust inhibitors and suitable for operation over a range of - 25° C to + 120° C.

Impeller Mounting Screw: 300 series stainless steel with anti-rotational locking patch.

Castings: All iron castings are ASTM A48 class 30 gray cast iron. Optional bronze impeller is ASTM B584 C87600 silicon bronze.

- UL (Underwriters Laboratories) Listed Motors.
- Three phase motors only.
- Available voltages: 380 volt, 50 Hz.
- HP Range: 7.5 - 20
- Motor shaft is a one-piece design of high strength 416 stainless steel.
- All motors are air-filled and designed for continuous duty when fully submerged or for up to 15 minutes operation in air.
- NEMA design "B" with copper windings.
- Class "F" stator winding designed for inverter duty.
- Moisture System: Two wire dual probe monitoring system constantly monitors seal oil chamber and stator housing for moisture. **Note:** control panel must contain an alarm circuit and alarm device.
- Two (2) normally-closed, automatic reset thermostats connected in series and embedded in adjoining phases.
- Power and sensor cords are 25' standard length, 50' available as an option.
- Motors conform to the latest applicable requirements of NEMA, IEEE, ANSI and NEC standards.

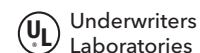
NOTICE: Class 10 quick trip overload protection must be provided in control panel.

AGENCY LISTINGS



Tested to UL 778 and CSA 22.2 108 Standards
By Canadian Standards Association
File #LR38549

MOTOR LISTED EXPLOSION PROOF
CLASS I, DIVISION I, GROUPS C & D



Underwriters
Laboratories

MODELS AND MOTOR INFORMATION

Order Number	HP	Phase	Volts	RPM	Impeller Dia. (in.)	Impeller Code	Maximum Amps	Locked Rotor Amps	KVA Code	Resistance Start	Resistance Line-Line	Weight (lbs.)
4XD16K6KC	7½	3	380	1450	8.00	K	14.7	76	H		0.34	455
4XD16L6GC	10				9.00	G	19.4	103	G	0.79		
4XD16M6DC	15				10.12	D	29.3	139	G	0.65		
4XD16N6AC	20				11.00	C	35.5	162	F	0.49	890	

NOMENCLATURE DESCRIPTION

1st Character – Discharge Size

4 = 4" 125 # ANSI Discharge Flange

2nd and 3rd Character – Pump Type / Design

XD = Explosion Proof, Dual Seal Pump with On-Winding Thermal Sensors and Moisture Detection Sensors

4th Character – Mechanical Seals

1 = Standard Seal – the upper seal is carbon/ceramic, the lower seal is carbon/ceramic, BUNA and 304 stainless steel metal parts.

3 = Optional Lower Seal – silicon carbide/silicon carbide, Viton elastomers and 304 SS metal parts.

5 = Optional Lower Seal – silicon carbide/tungsten carbide, Viton elastomers and 304 SS metal parts.

5th Character – Motor RPM / Hertz

6 = 1450 RPM / 50 Hz

6th Character – Horsepower

K = 7.5 M = 15

L = 10 N = 20

7th Character – Voltage / Phase

6 = 380/400 / 3

8th Character – Impeller Code

A = 11.0", 20 HP - 1450 RPM

D = 10.12", 15 HP - 1450 RPM

G = 9.00", 10 HP - 1450 RPM

K = 8.00", 7.5 HP - 1450 RPM

T = SPECIAL TRIM

9th Character – Cord Length - Power and Sensor Cords

C = 25' standard F = 50' Optional

10th Character – Options

B = Silicon Bronze Impeller E = Epoxy Paint

F = Both Bronze Impeller and Epoxy Paint

APPLICATION DATA

Maximum Solid Size	3"
Minimum Casing Thickness	5/16"
Casing Corrosion Allowance	1/8"
Maximum Working Pressure	100 PSI
Maximum Submergence	200 feet
Maximum Environmental Temperature	40°C (104°F) ambient conditions
Maximum Starts Per Hour	Maximum of 10 evenly spaced starts per hour

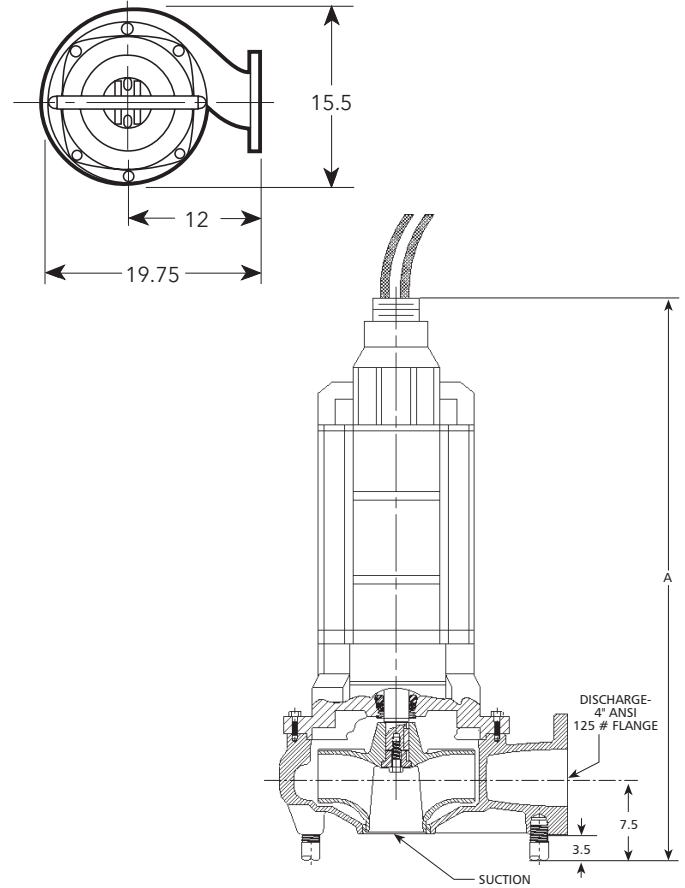
CONSTRUCTION DETAILS

Power Cable - Type	1/0 / 4, 2/4, 4/4, 6/4, 8/4, 10/4, 12/4 SOW or SOOW (see Model Info)
Control / Sensor Cable / Type	Type 18/5 SOW
Power Cable and Cap Assembly	Leads have a BUNA-N grommet in addition to being epoxy encapsulated
Power and Control Cable Lengths	25' standard, 50' optional
Motor Enclosure	Cast iron ASTM A-48 Class 30
Motor Shaft	Series 416 Stainless steel
Motor Design	NEMA design "B" with copper windings and designed to withstand 200 psi water pressure at all seal locations. Air-filled NEMA 210TY frame models. Air-filled NEMA 250TYS frame models.
Motor Insulation Rating	Class "F" insulation
Motor Thermal Protection	Two (2) normally closed on-winding thermostats open at 320° F (160° C), automatic reset closes at 221° F (105° C).
Motor Overload Protection	Class 10, ambient compensated, quick-trip overload protection must be provided in control panel.
Motor Moisture Protection	Two (2) moisture sensing probes in the oil-filled seal chamber must be connected to a relay in control panel.
Casing	Cast iron ASTM A-48 Class 30
Impeller	Cast iron ASTM A-48 Class 30 or optional cast bronze ASTM B584 UNS C87600.
Impeller Type	Two vane enclosed design for maximum efficiency.
Casing/Impeller/Wear Ring	Replaceable bronze wear ring
External Hardware	Stainless steel

DIMENSIONS

(All dimensions are in inches. Do not use for construction purposes.)

HP	RPM	"A" Dimensions (in.)
7½	1450	41.3
10		
15		
20		



STANDARD PARTS

Ball Bearing	Lubricated for life bearings are designed for a minimum L10 life of 30,000 hours.	
210 and 250 Frame	Single row Radial (upper)	
	Single row Thrust (lower)	
Mechanical Seals - Standard	Upper	Carbon/rotary and ceramic/stationary
	Lower	
Mechanical Seals - Optional	Lower	Silicon carbide/rotary and tungsten carbide/stationary
	Lower	Silicon carbide/rotary and silicon carbide/stationary
Standard Motor O-rings	BUNA-N (nitrile)	
Seal Chamber Oil	Premium moisture resistant polyurea thickened grease containing rust inhibitors is suitable for operation over a temperature range of - 25° C to +120° C.	

xylem
Let's Solve Water

Xylem, Inc.
2881 East Bayard Street Ext., Suite A
Seneca Falls, NY 13148
Phone: (866) 325-4210
Fax: (888) 322-5877
www.xylem.com/brands/gouldswatertechnology

Goulds is a registered trademark of Goulds Pumps, Inc. and is used under license.
© 2012 Xylem Inc. B4XD50HZ March 2011