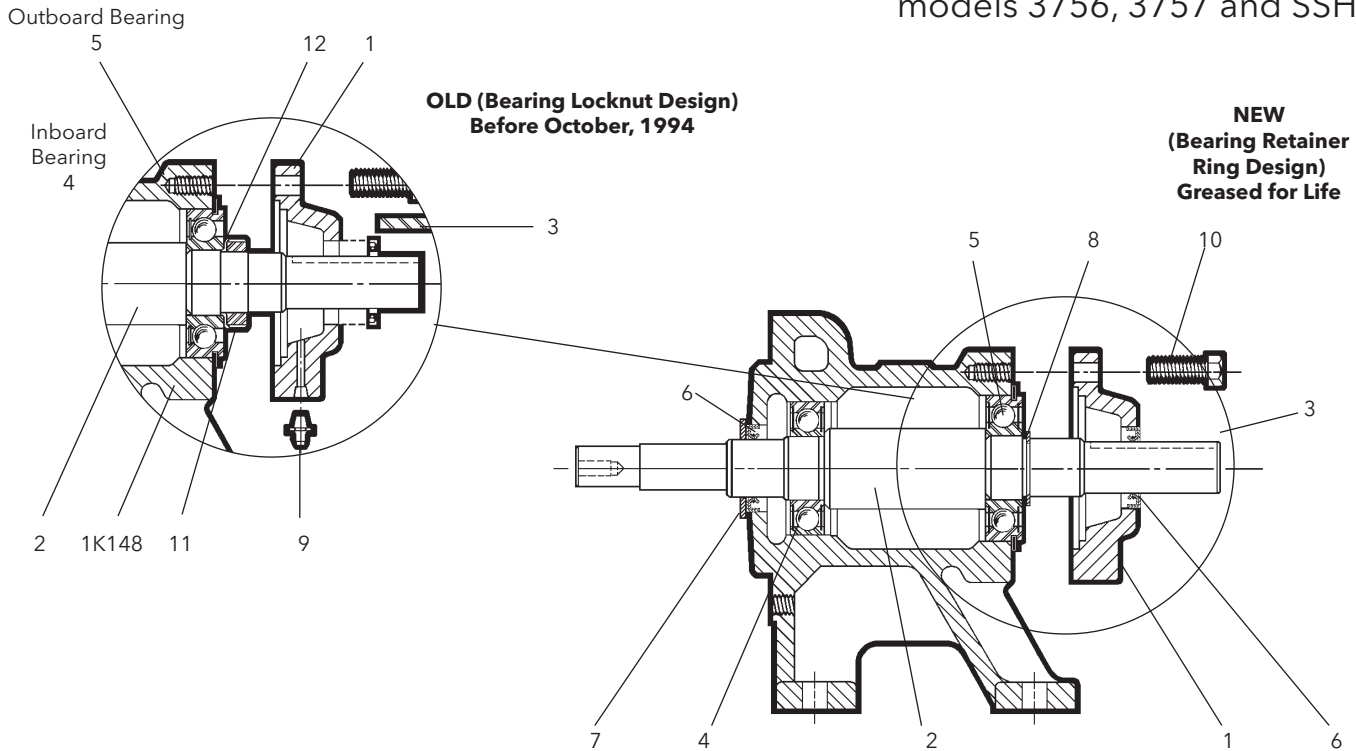


# S-Group Power Frame

## REPAIR PARTS



S-Group power frame for models 3756, 3757 and SSH



## COMPLETE BEARING FRAME ASSEMBLIES:

To order complete assembly (grease for life only) use part number 14L52 - for mechanical seal and 15K17 for packed box.

| ITEM NO. | OLD<br>Regreasable | NEW<br>Grease for life | DESCRIPTION                                   | MATERIAL       | PATTERN NO. |
|----------|--------------------|------------------------|---|----------------|-------------|
| 1        | OBSOLETE           | 1K437                  | Bearing cover                                 | Cast iron      | 59027       |
| 2        | 4K277<br>-         | 4K410<br>4K478         | Shaft - mechanical seal<br>Shaft - packed box | Steel<br>Steel |             |
| 3        | 4K278              | 4K278                  | Key - motor end                               | Steel          |             |
| 4        | 4K279              | 4K412                  | Inboard bearing                               | Steel          |             |
| 5        | 4K280              | 4K413                  | Outboard bearing                              | Steel          |             |
| 6        | 5K159              | 5K159                  | Lip seal                                      | BUNA/steel     |             |
| 7        | 5K160              | 5K160                  | Deflector                                     | BUNA-N         |             |
| 8        | NA                 | 5K245                  | Retaining ring                                | Steel          |             |
| 9        | 6K80               | NA                     | Grease fitting - frame and bearing cover      | Steel          |             |
| 10       | 13K80              | 13K80                  | Hex head cap screw - bearing cover            | Steel          |             |
| 11       | 13K166             | NA                     | Locknut                                       | Steel          |             |
| 12       | 13K167             | NA                     | Lockwasher                                    | Steel          |             |

For parts pricing and package stock quantities refer to published parts price list using "K" part no. listed above.

Shaft and mounting face duplicates NEMA 184JM dimensions.

## COUPLING GUARD

| Motor Frame | Part Number |
|-------------|-------------|
| 145-215     | 4K289       |
| 250-280     | 4K290       |

### Xylem Inc.

2881 East Bayard Street Ext., Suite A, Seneca Falls, NY 13148

Phone: (800) 453-6777 Fax: (888) 322-5877

[www.gouldswatertechnology.com](http://www.gouldswatertechnology.com)

